



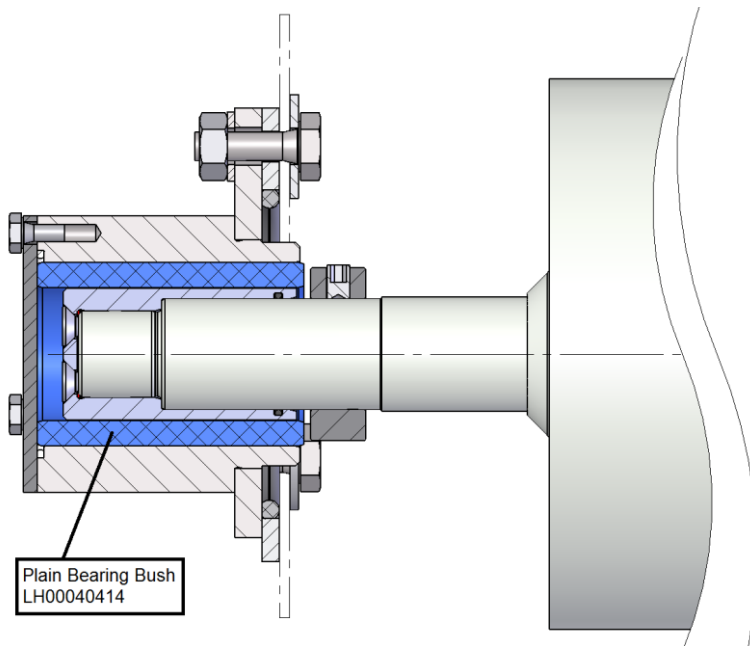
Modernization of under-liquor bearing

Your BENefit – Reduce your operating costs and extend the service life of your under-liquor bearing

Advantages at a glance:

- Easy to maintain
- Reduced drive force needed
- Leakages no longer possible
- Bearing check from outside

Maintenance and Modernization



By replacing the conventional mechanical seal with the newly developed under-liquor plain bearing you significantly can extend the service life. The maintenance cost for this under-liquor bearing is also significantly reduced since with the new version only the specially developed plain bush needs to be replaced.

Advantages at a glance:

- Leakages are no longer possible. This means, no damage to the bearings due to escaping liquor and also no mechanical damage to the roller shaft journal
- Reduced driving forces for the rolls
- Aging of the rubber membrane at the mechanical seal eliminated
- The plain bearing simply can be checked from outside
- Retrofitting existing bearings can easily be performed
- Easy to maintain, since no subsequent lubrication of the bearing is necessary

Modernization for under-liquor plain bearing LH00059782 (not suitable for measuring rollers)

Plain bearing conversion kit suitable for:			Conversion kit cannot be used for:
Z-LG400AA up to Z-LG400BE			Z-LG400KA
Z-LG405AA up to Z-LG405AB			Z-LG400KK
Z-LH400AA			Z-LG400KO
LH00029387 and LH00018356			LE62300H and older version
Z-LG400KC	Z-LG400KD	Z-LG400KE	
Z-LG400KH	Z-LG400KL	Z-LG400KM	
Z-LG400KX			
Attention: <u>Not</u> suitable for measuring rollers!			

For more information or for getting an offer, please contact: parts_tf@benningergroup.com